

WOTEX[®]



**PT2000
MOWERS
Instruction and
Parts Book**

INDEX

Page	Subject
Inserts	EC Declaration of Conformity & Warranty Registration Form
1	Index
2	Key to symbols and notes in text
3 - 5	Safety instructions
6 - 8	Operating Instructions
9	PTO information
10 - 12	Maintenance
13	Liability and Warranty details
14-15	General Information & spares
16 - 24	Parts diagrams and spares listing

KEY

These warning signs are found on the machine and in this manual and are very important.

Please follow the instructions carefully.

DANGER!	Means	direct danger to life and health to people & animals
ATTENTION!	Means	eventual damage to the machine will occur if the user does not follow the instructions outlined by the manufacturer in this manual
NOTE!	Means	suggestions to assist in performing some tasks more easily and safely

Safety Instructions

DANGER! BEWARE BLADES CONTINUE TO ROTATE AFTER THE MACHINE IS SWITCHED OFF - DO NOT APPROACH MACHINE UNTIL BLADES HAVE COMPLETELY STOPPED

DANGER! KEEP DISTANCE - DUE TO ROTATING BLADES, OBJECTS (e.g. STONES) CAN BE THROWN OUT OF THE MACHINE - DESPITE THE GUARDING!

General Information

1. We recommend you read this manual thoroughly before operating the machinery, in order that you will be fully conversant with the use of the machine, especially in areas which might cause danger.
2. Pay particular attention on how to stop the tractor in case of emergency.
3. Pass on all safety comments and notices to other users.
4. **Never** let the blade shafts rotate when the entire length of machine does not rest on the ground.
5. The exhaust fumes from tractors contain carbon monoxide, a scentless yet deadly gas. Therefore the tractor engine should not be run in an enclosed area.
6. The signs and decals on the machine indicate important information for safe operation - follow this information for your OWN safety.
7. Always use ear protection where the noise level is higher than 85 dB(A) however this is not applicable when driving on a main road.
8. Due to the machine having rotating parts, operators should wear close fitting clothes.
9. When operating on roads, ensure you follow the applicable traffic rules.
10. Only qualified drivers with suitable experience should operate tractors especially when coupled to the machinery.

11. When transporting the machine on roads, adhere to the maximum permissible transport dimensions. If the machine width is greater than 2.55m and smaller than 3.5m then ensure maximum road speed is 12mph.
12. If applicable, attach light screens and/or warning signs.
13. If applicable, put the machine into its transport position subsequent to travelling on the roads.
14. Once a machine is raised on the 3 point linkage for transport, ensure that the lever is locked against lowering!
15. Before operating the machine, complete safety checks on both the tractor and the machine.
16. Never take passengers on the tractor or the mower.
17. If required, fit front weights in accordance with the tractor manufacturers mounting instructions.
18. All cables, hoses, etc. for rams, lighting, etc. should be fitted in such a way that during all working conditions they cannot be damaged, cause unexpected movements or interrupt they function.
19. Pay particular attention at curves and corners considering the large width of the machine as it increases the turning circle of the tractor. Also be aware of the extra inertia created by the weight of the machine.
20. Adapt speed of operation to conditions of the yard and workplace.
21. Working with tractors on slopes is very dangerous! However if work on slopes cannot be avoided then care must be taken and avoid sudden movement.
22. Only work during daylight or with good artificial light.
23. Prior to starting work, remove all objects from the workplace which might be caught and thrown by the machine.
24. If applicable, ensure that the jack or support wheel is in its lowest position when the machine is to be attached or unattached.

Information particular to the rotary machines

25. Before use, tighten the blades' nut, which has a left hand thread with the spanner provided.
26. To prevent damage, ensure the machine is fitted to the 3 point linkage correctly.
27. When the machine is in a non working or transport position the PTO must be disconnected and the rotary blades must have stopped spinning.
28. Prior to starting repairs and maintenance the following precautionary steps must be taken
 - switch off the PTO
 - wait for the blades to stop spinning
 - switch off tractor and remove key
29. After the machine hits an object, stop and check for damage. If damage has occurred then the machine must be repaired prior to recommencing work.
30. Only use the machine when it is complete and all guards are in good condition.
31. Be careful during the connection and disconnection of the machine to the tractor.
32. Never stand on the machine whilst it is in operation **ESPECIALLY** on machines with a wooden deck.

Operating Instructions

33. Prior to initial use

Grease both joints on PTO shaft and all bearings on machine
Check gearbox oil level
Use spanner provided to tighten left hand nuts securing blades

34. After initial 10 acres work (sooner if work is heavier i.e. scrub, set aside etc.)

Check belt tension (para 38)
Check tightness of all nuts, especially blade left hand nuts

35. Mounting onto tractor

The machine is designed to fit quickly and easily onto Cat 1 or 2 tractor linkage (it can be easily modified to fit Cat 3) by means of the link arms being fixed to the bar through the U frame (2000200), (however extra care needs to be taken where tractors have small wheels or a low PTO). The tractor top link is then connected the linkage (2000205). Adjust the top link so that the wire cable (61191) is slack when the machine is flat on the ground.

Check chains or stabiliser bar must be adjusted correctly to prevent the machine from slopping from side to side.

NOTE! Before lifting the machine ensure the stop on the hydraulics is set to prevent the PTO from hitting the linkage and frame thus preventing bending.

36. Starting

Start the machine with it slightly raised, out of the working area, by selecting 540 for PTO speed and engaging the drive.

ATTENTION! Damage may occur if the machine is started when fully on the ground.

37. Cutting height adjustment

After setting the skids, ensuring they are level both sides, run the machine to confirm height of cut. To adjust height, simply undo the 4 nuts & bolts holding each skid and reposition in new hole, either on skid adjuster or on machine frame.

38. Adjustment of V belts

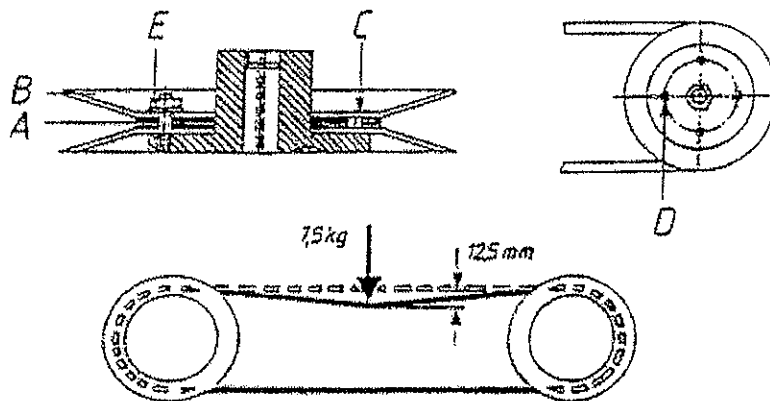
The V-belts are tightened at the driven V-belt pulleys by removing one or more adjusting plates (a) and fitting them on top of the pulley (c).

To this end, proceed as follows:

- Remove the four nuts (32004) on the V-belt pulley (32011).
- Remove the V-belt from the adjusting plates (32010).
- Remove one or more adjusting plates (depending on the degree of belt slackness).
- Fit the V-belt again around the remaining adjusting plates. In doing so, be careful not to pinch your fingers!
- Fit the upper pulley half with the nuts. Note: Tighten the nuts only at the point indicated by D on the drawing below. For the other nuts, rotate the pulley each time a quarter turn.
- Then check the V-belt tension and repeat the above if necessary.



Check the V-belt tension after the first running hour and re-tighten if necessary. The tension is subsequently to be checked at regular intervals.



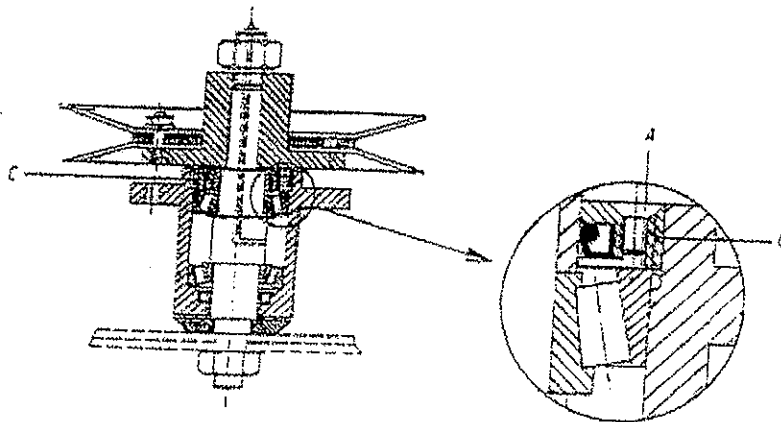
39. Fitting a new belt

To fit a new belt, loosen 2 nuts (2000164) to allow belt change doors to move (2000160 & 2000161). If you are replacing a lower belt, it is advisable to remove the upper belt to allow easier access to that below. Once the doors are open, feed the belt over the blade and up into the main channel. Thread belt over whole unit. Ensure there are at least 5 shims in the outer pulley system to enable future adjustment (see above).

40. Adjusting the tapered bearings

Slacken the countersunk screw (2000319) (A) which secures the threaded adjusting ring (2000318) (C) into the bearing housing (2000310). Unscrew the adjusting ring (left hand thread) to reveal the tapered bearings. After fitting new bearings take care not to over tighten the adjusting ring which could overload the bearings.

Do not fit a new race without a new ring as the taper angle may vary.



41. Fitting new shear bolt

As the machine design protects the gearbox and tractor by means of a shear bolt system contained within the main drive boss, there may be occasions where this needs replacing (e.g. after hitting an obstacle).

If the pin is not broken, remove blade by means of left hand nut (see instructions for blade removal below).

Remove boss (2000300) from main drive casting (61702) by releasing 6 x 6 mm Allen screws (60384) taking care not to damage screw heads. Remove old shear bolt (2000301) and insert new item with dowel (2000302). Refit boss, ensuring it is secured tightly to drive casting.

NOTE! THIS IS A DESIGN FEATURE OF THE MACHINE AND SO THERE IS NO WARRANTY ON THE STUB SHEAR BOLT (PART - 2000301)

PTO Drive shaft

42. Only use the PTO shaft supplied by the manufacturer.
43. The guards on the PTO shaft, machine and tractor must always be in good condition.
44. Ensure that the prescribed shaft overlap of the PTO (as shown in the PTO manufacturer's instructions) occurs in both transport and working positions.
45. Only connect the PTO shaft to the tractor and machine when the tractor PTO is disconnected and the tractor is switched off.
46. Prior to using the machine, ensure that the PTO shaft is correctly fitted and locked in place.
47. To ensure the PTO shaft does not spin, use the locking chains to secure the shaft to both the machine and tractor in the places provided.
48. Before engaging the PTO, ensure the speed and direction of rotation of the shaft are in accordance with the machine. These details are shown on the machine by means of a sign.
49. Do not exceed the indicated PTO speed.
50. Never engage the PTO shaft when the tractor engine is off.
51. Keep a safe distance away from the PTO shaft when it is engaged.
52. Place the disconnected shaft on the attachment points provided on the machine.
53. As soon as the PTO shaft has been disconnected, attach the guard bush onto the tractor's PTO.

Maintenance and inspection

DANGER!

MAINTENANCE AND INSPECTION ON THE BOTTOM OF THE MACHINE MUST NEVER BE PERFORMED WHEN THE MACHINE IS ONLY CARRIED BY THE TRACTOR'S HYDRAULICS AND 3 POINT LINKAGE. ALWAYS ENSURE THE MACHINE IS SUPPORTED AND TAKE SPECIAL PRECAUTIONS AGAINST UNEXPECTED FALLING OF THE MACHINE (e.g. USE A BLOCK & TACKLE WITH A MINIMAL WEIGHT CAPACITY OF THE MACHINE AS INDICATED ON THE STAMP ON THE MACHINE).

ATTENTION!

VIBRATION DURING OPERATION IS MOSTLY CAUSED BY THE IMBALANCE OF BADLY WORN BLADES. THIS VIBRATION CAN CAUSE SERIOUS DAMAGE TO THE MACHINE SO IF VIBRATION IS NOTICED DURING OPERATION OR A CHANGE IN THE NOISE OF THE MACHINE, STOP IMMEDIATELY, INSPECT THE MACHINE FOR DAMAGE AND REPAIR THE FAULT BEFORE RESTARTING.

54. Gearbox.

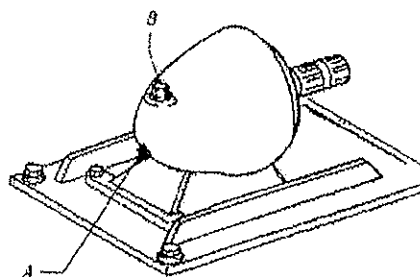
The oil content required for the gearbox is 0.75l of Hypoid 90 oil. The gearbox oil is to be changed after the first 40 running hours and subsequently once a year. The oil is to be changed as follows:

- Clean the drain and fill plugs and surrounding area.
- Remove the PTO shaft.
- Put the mower vertically backwards.



To this end use a tackle or fork-lift truck having a minimum lifting capacity exceeding or equal to the weight of the mower. Take precautions to prevent the mower from dropping or falling over during the work!

- Remove drain plug A and collect the oil.
- Put the mower back into its horizontal position.
- Remove bleed nipple B and fill the box with 0.75l of oil. The oil should reach exactly the level of the drain plug.
- Fit both plugs.

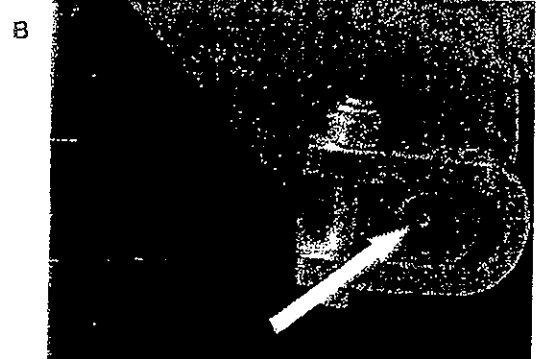
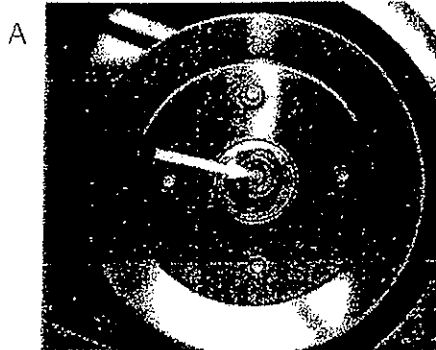


55. Greasing Points.

The pictures below show the greasing points to be lubricated daily with multipurpose lithium grease (under very heavy conditions, even several times a day to press any penetrated foreign matter back to the outside).

Greasing points: A. Bearing houses

B. Ground roller (if provided)



56. Winter storage.

In the event the machine is put out of service for an extended period of time, it will be necessary to perform an intensive cleaning. Thereupon, lubricate all greasing points and change the gearbox oil. After this, have the machine run for a few minutes.

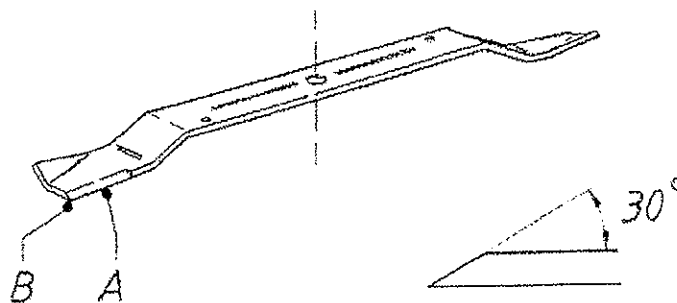
57. Blade Maintenance.

Check from time to time the condition of the cutting blades. If the cutting result isn't good, the blades must be ground or, if necessary, replaced.

Note: When removing the blades, bear in mind that the fixing nut has a left-handed screw thread!

When grinding, remember the following (see diagram below):

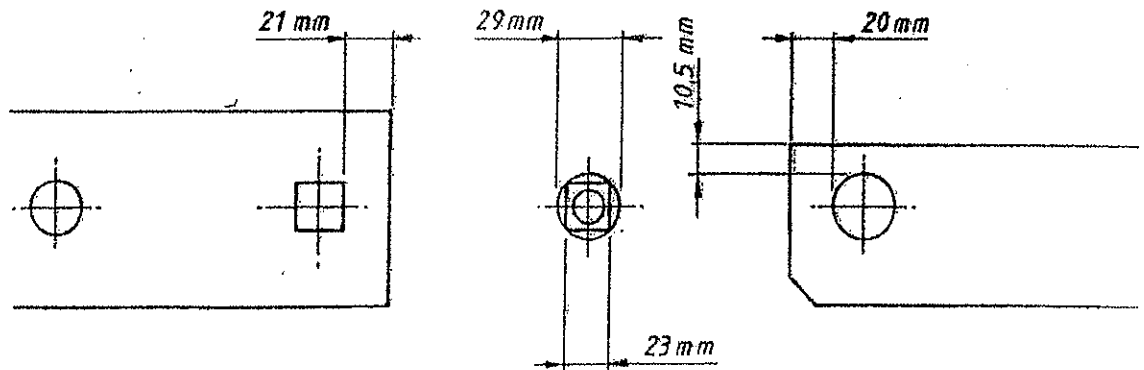
- The cutting edge of the blade has an angle of 30° .
- The blade corner (B) must be square. A rounded corner reduces the cutting effect.
- Grind each end of both blades in the same way so that they will not be out of balance.



If your machine has swinging blades, regularly check the condition of the blade holders, blade bushes and bolt connections.



Never work with a mower whose blade holders, bolt connections, blades or blade bushes do not have the minimum dimensions required! (See below).



58. All guards must be checked before operating and must be replaced if found faulty or defective.
59. Prior to use, the wooden deck (if applicable) must be inspected for signs of wear and damage. If in doubt, any area should be replaced immediately.
60. If the machine has a wooden deck, this must be cleaned down at the end of every season and treated with a good quality wood preservative.
61. Ensure all maintenance is carried out using proper tools.

LIABILITY AND WARRANTY

Votex Hereford Ltd guarantees good and reliable performance for a period of 12 (twelve) months provided:

1. All instructions outlined in this manual have been carried out.
2. All maintenance has been correctly carried out.
3. The machine has been operated by qualified operators who have read this manual and made themselves familiar with the machine's operation.
4. The machine has been only used for tasks it was intended for.
5. All safety precautions have been adhered to.
6. **IMPORTANT**
This instruction manual only applies to the original Votex technical specification. Therefore, Votex Hereford Ltd cannot be held responsible for any injury to persons or damage to the machine whatsoever caused by or after unauthorised technical modification of the machine or any component, original or spare.

OR

the use of non genuine spare parts. Where there is a dispute, it is the responsibility of the customer and claimant to prove that any replacement parts used are genuine Votex spares purchased via a Votex dealer or direct from the manufacturer.

7. **YOUR ATTENTION IS DRAWN TO THE FACT THAT VOTEX
HEREFORD LTD WILL NOT ACCEPT A WARRANTY CLAIM IF THE
INSTRUCTIONS IN THIS MANUAL HAVE NOT BEEN FOLLOWED.**
8. **REMARKS**

ALL RIGHTS RESERVED

Without explicit permission from Votex Hereford Ltd it is NOT allowed to duplicate and/or make public by print, photocopy, microfilm or in any other way the contents of this manual. This also applies to the illustrations and diagrams.

Votex Hereford Ltd reserves the right to alter and modify its spare parts, if necessary, at any time without previous notice to its customers. Also, the contents of this manual could be altered accordingly without prior notice.

For more specific information about adjustment, maintenance and repair that is unclear in this manual we suggest you contact the technical or service department of your Votex main dealer or ourselves direct.

TO ENSURE

GOOD,

SAFE OPERATION AND

PROLONGED LIFE OF THE

MACHINE,

ALWAYS FOLLOW THE

INSTRUCTIONS IN THIS

MANUAL

AND USE

GENUINE

VOTEX

SPARE PARTS!!

The Votex Rotary Mower

The Votex PT & PM 2000 rotary mowing machines are specially designed for mowing grass and other growth producing a good quality finish from a simple yet durable system. These machines can also be used for chopping straw and bushes (etc.) as well as chopping prunings, pasture topping and the maintenance of large open areas such as airports, verges, and recreation areas.

Your machine has been designed and constructed to be mounted directly onto the 3 point linkage of a standard tractor.

Directions for ordering spare parts

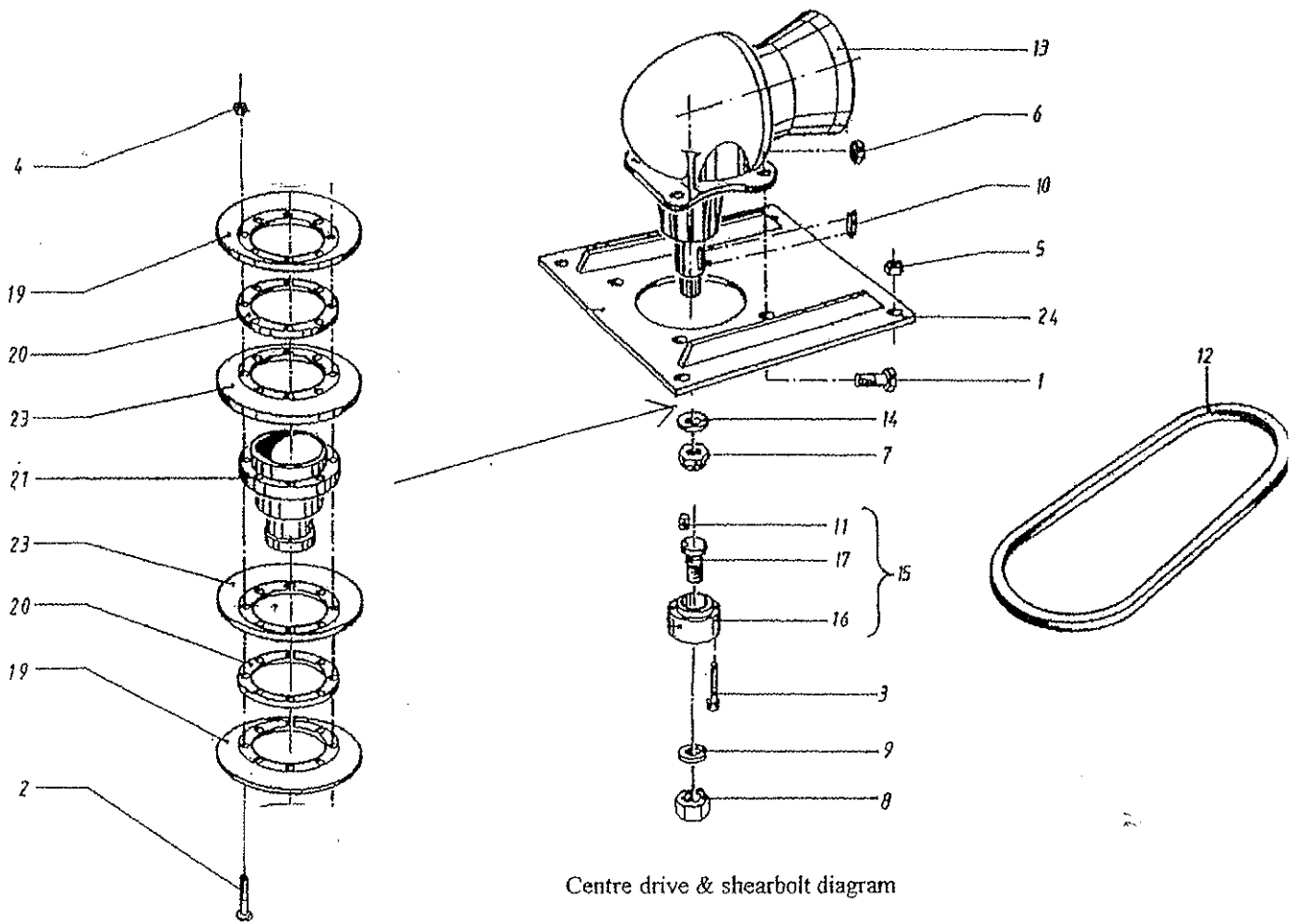
When you require a spare part for your machine please order a genuine Votex component via your main Votex dealer or by contacting us direct.

All the parts are listed in the next few pages, allied to technical diagrams to assist you in recognising each component. When you order a part please quote the Votex part number to ensure that you receive and subsequently fit the correct part.

After each diagram is a parts list relating to each page, which gives the Votex part number AND description.

If you are unsure of a part then we suggest you send the original to us or take it to your dealer.

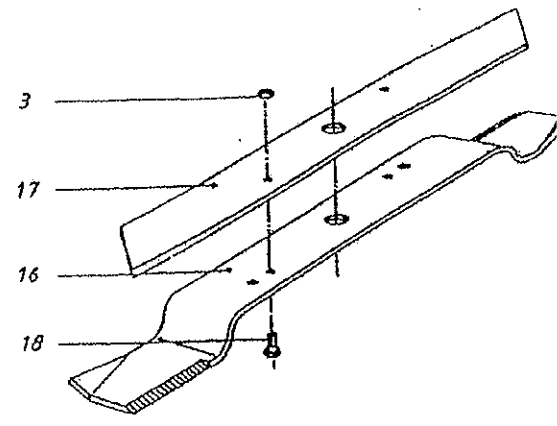
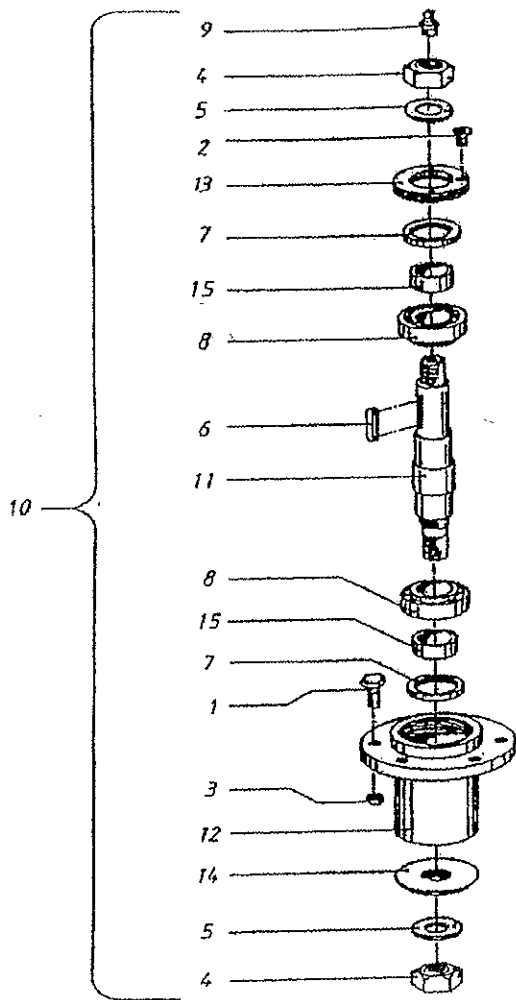
To ensure a good quality finish from you machine, as well as prolonged life USE only GENUINE VOTEX SPARES.



	Part No	Description	2000/2m	2000/2	2000/3m	2000/3	2000/4	2000/5	2000/7
1	32412	Bolt	4	4	4	4	4	4	4
2	32205	Bolt			4	4	4	4	4
	32239	Bolt	4	4					
3	60384	Cap head screw	6	6	6	6	6	6	6
4	32004	Nut	4	4	4	4	4	4	4
5	2000172	Bolt	4	4	4	4	4	4	4
6	61330	Nylock nut	4	4	4	4	4	4	4
7	61703	Castle nut	1	1	1	1	1	1	1
8	32208	Left hand nut	1	1	1	1	1	1	1
9	32209	Washer	1	1	1	1	1	1	1
10	61773	Key	2	2	2	2	2	2	2
11	2000302	Dowel	1	1	1	1	1	1	1
12	62586	Belt		1		2		2	
	62587	Mini Belt	1		2				
	74500	Heavy duty Belt *2					1	2	6
13	32219	Gearbox	1	1	1	1	1	1	1
14	61705	Washer	1	1	1	1	1	1	1
16	2000300	Stub boss	1	1	1	1	1	1	1
17	2000301	Stub shear bolt	1	1	1	1	1	1	1
19	32204	Pulley half *1	2	2	4	4	4	4	4
20	32206	Spacer	1	1	2	2	2	2	2
21	61702	Centre hub casting	1	1	1	1	1	1	1

*1 These are double thickness for the larger machines and for machines with the heavy duty/ set aside kit

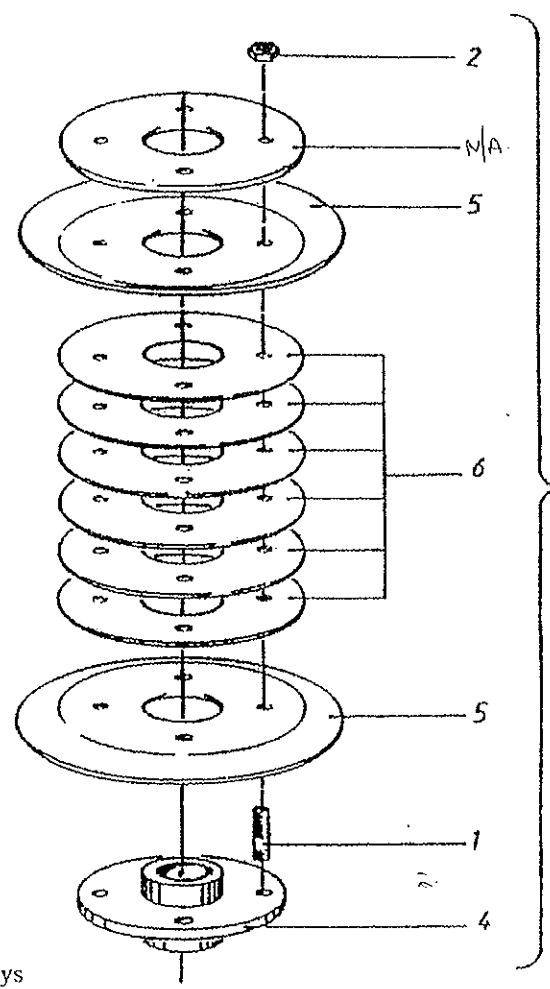
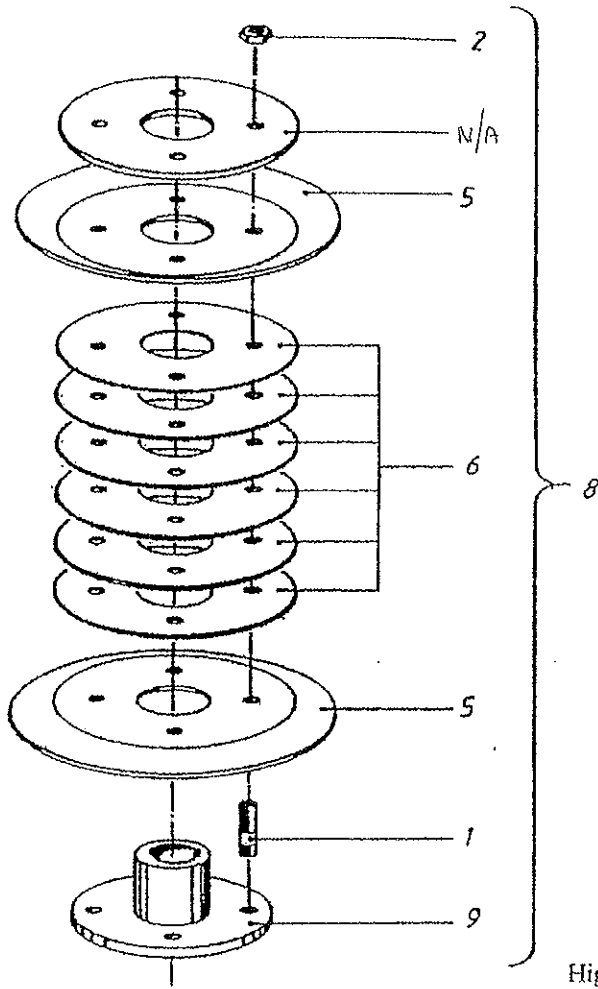
*2 Heavy duty belts are standard fitting with the heavy duty kit.



Outer hub drive & blade

	Part No	Description	2000/2m	2000/2	2000/3m	2000/3	2000/4	2000/5	2000/7
10	2000310	Bearing housing assembly	1	1	2	2	3	4	6

	Part No	Description	Quantity per assembly
	1	32636 Bolt	6
	2	2000319 Screw	1
	3	32625 Nut	2
	4	32208 Left hand nut	2
	5	32209 Washer	2
	6	2000312 Key	1
	7	2000317 Oil seal	2
	8	32805 Roller bearing	2
	9	2000320 Grease nipple	1
	11	2000315 Shaft	1
	12	2000311 Bearing housing	1
	13	2000318 Adjusting ring	1
	14	2000321 Thrust disc	1
	15	2000316 Hardened spacer	2
	16	63795 Blade	1
		63798 Mini blade	
	17	62096 Deck plate	1
		51031 Duplo blade	Standard on PM roller mowers
		40018 Mini duplo	Standard on mini PM roller mowers
18	32912	Bolt	2

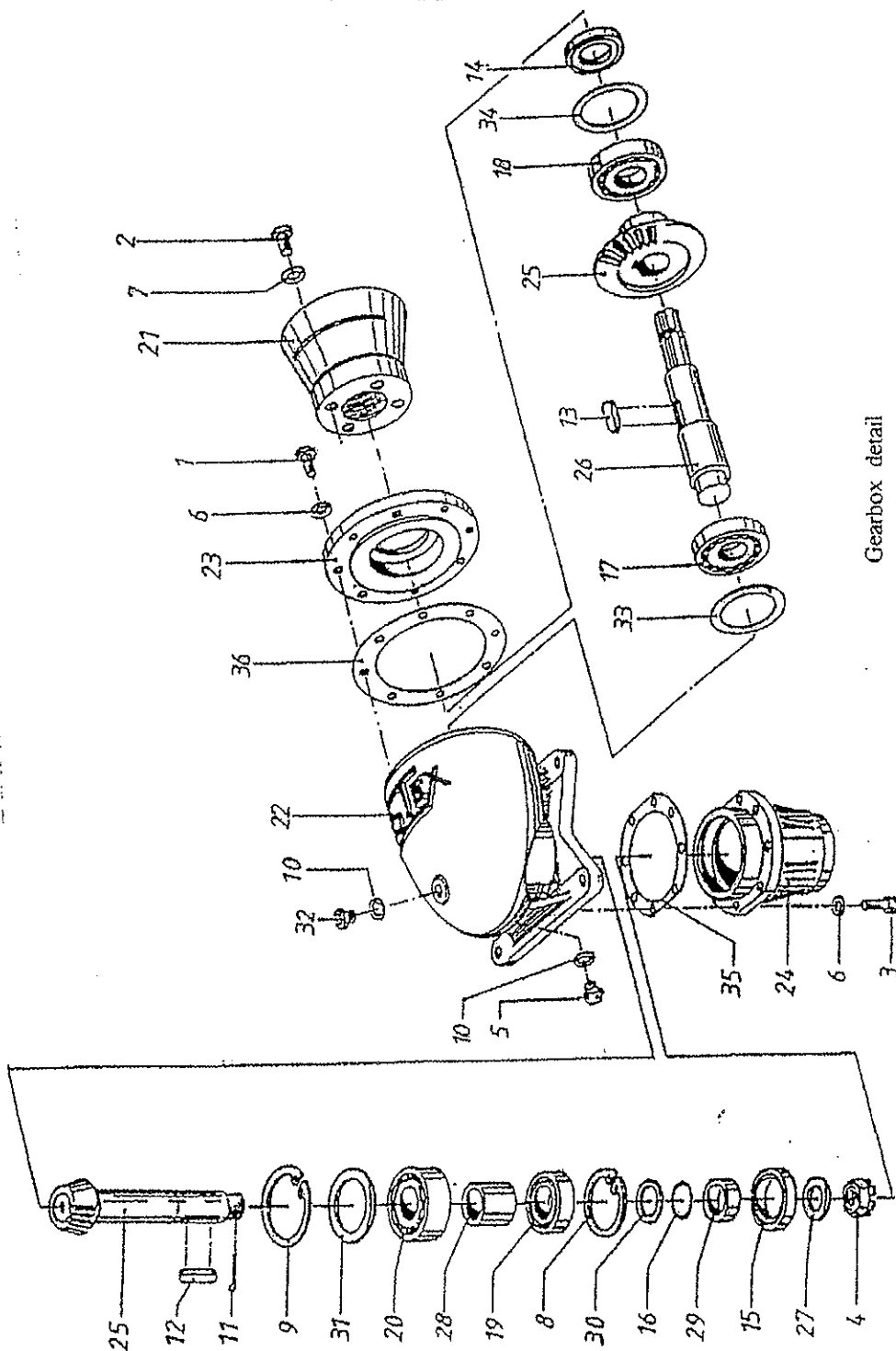


High & low outer pulleys

Part No	Description	2000/2m	2000/2	2000/3m	2000/3	2000/4	2000/5	2000/7
8	Low Hub	1	1	1	1	1	3	5
3	High Hub			1	1	2	1	1

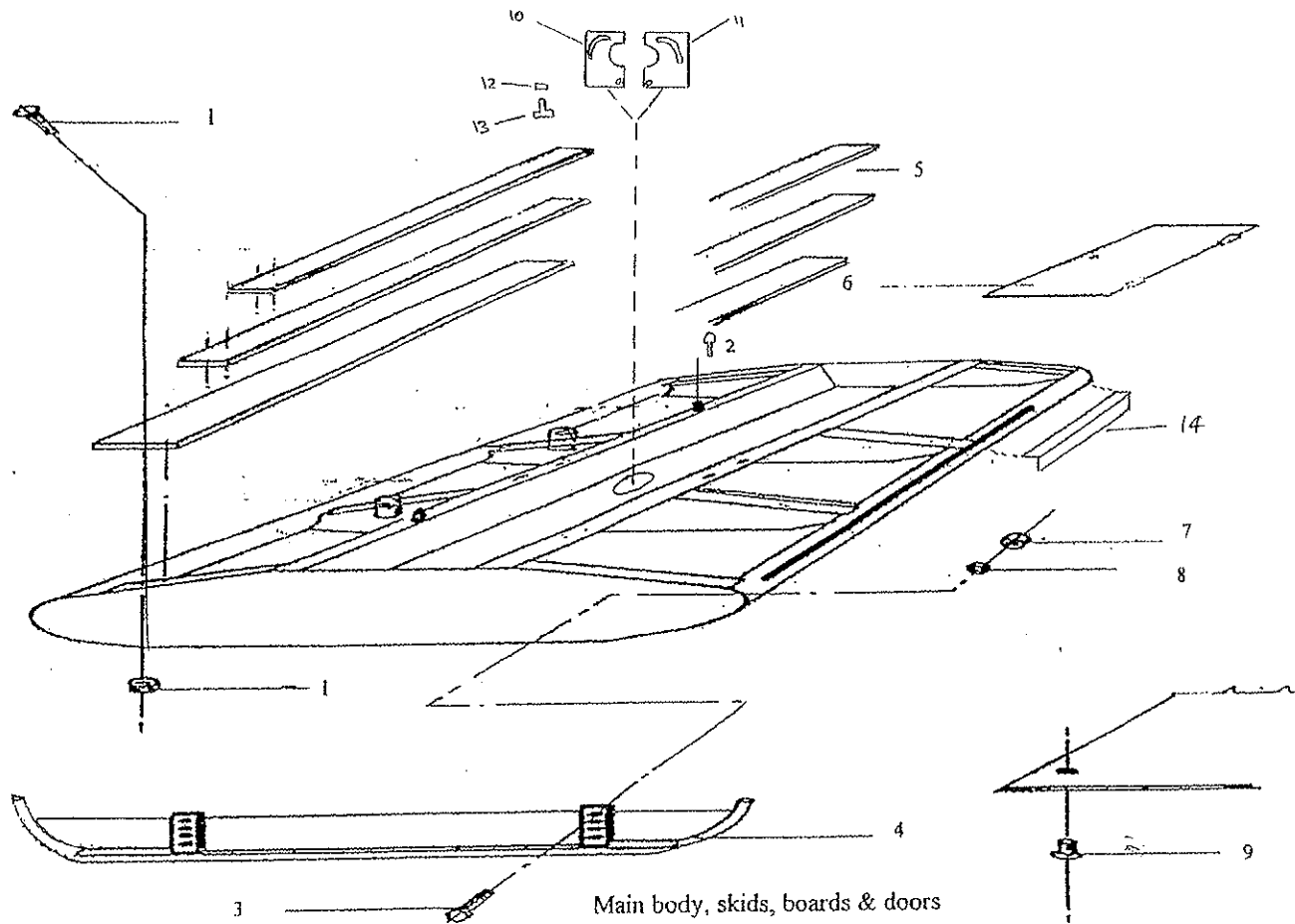
Part No	Description	Quantity per assembly
*1 2000327	Stud	4
2 32004	Nut	4
4 2000325	High hub	1
5 32011	Pulley half	2
6 32010	Shim	5
* 2000323	Long stud for double hub	4

Part No	Description	Quantity per assembly
1 2000327	Stud	4
2 32004	Nut	4
5 32011	Pulley half	2
6 32010	Shim	5
9 2000326	Low hub	1



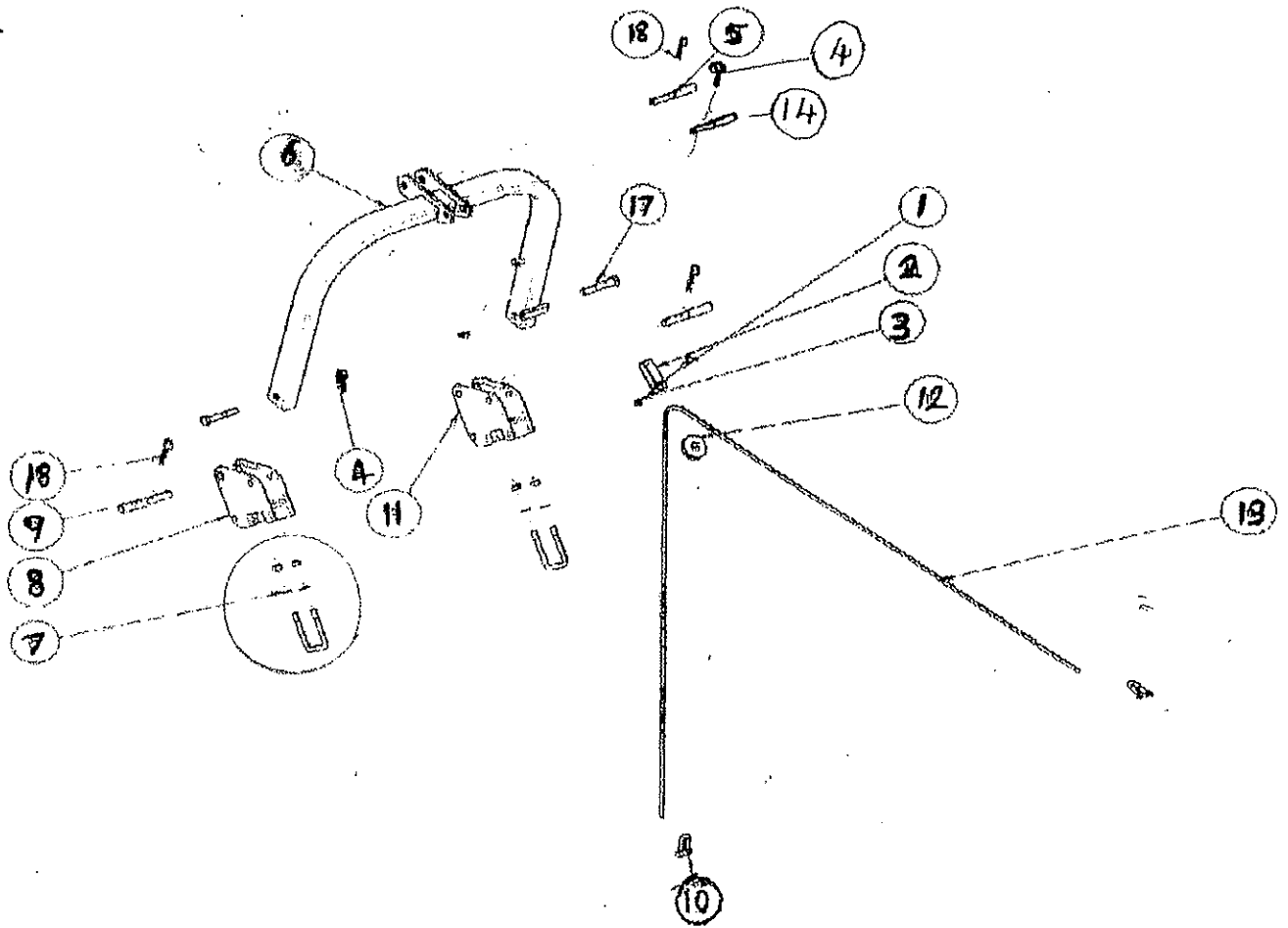
Gearbox detail

Part No	Description	Quantity per gearbox
1	60859 Bolt	8
2	33906 Bolt	4
3	61306 Bolt	8
4	61703 Castle nut	1
5	32261 Drain plug	16
6	32626 Washer	4
7	32006 Washer	1
8	66339 Circlip	1
9	61696 Circlip	1
10	32262 Washer	2
11	61704 Split pin	1
12	61773 Key	2
13	61709 Key	2
14	32259 Oil seal	1
15	61699 Oil seal gearbox	1
16	61701 O ring	1
17	61692 Bearing	1
18	61693 Bearing	1
19	61695 Bearing	1
20	61694 Bearing	1
21	61691 Cone	1
22	61679 Gearbox main housing	1
23	61680 Gearbox front cover	1
24	61681 Gearbox pinion housing	1
25	61771 Crown wheel & pinion	1
26	61682 Gearbox input shaft	1
27	61705 Washer	1
28	61685 Spacer	1
29	61686 Spacer	1
30	N/A	
31	61697 Washer	1
32	32251 Breather	1
33	61690 Shim	depends upon each gearbox
34	61698 Shim	depends upon each gearbox
35	61712 Shim	depends upon each gearbox
36	61713 Shim	depends upon each gearbox
	61689 Shim	depends upon each gearbox
	61714 Shim	depends upon each gearbox
	61715 Shim	depends upon each gearbox
36	66430 Gasket	
66431	Gasket	

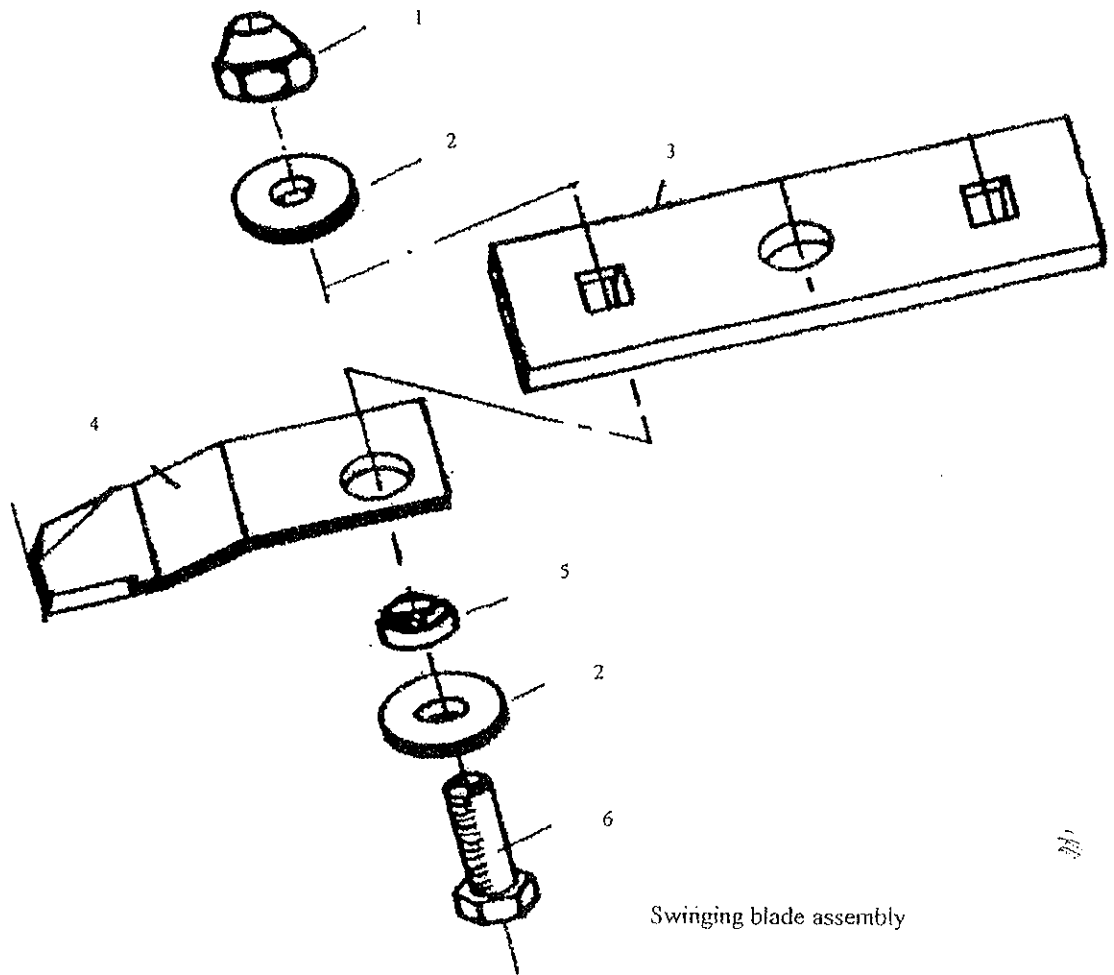


	Part No	Description	2000/2m	2000/2	2000/3m	2000/3	2000/4	2000/5	2000/7
1	62401	Coach nut & bolt	36	36	48	48	60	72	96
2	2000156	Domed bolt		1	2	2	3	4	6
3	32414	Bolt	8	8	8	8	8	8	8
4	2000230	Skid standard		2		2	2	2	2
	2000234	Skid mini size	2		2				
	2000410	Skid full rollers		2		2			
	2000409	Skid mini size rollers	2		2				
5	2000210	Board PT2000/2M	6						
	2000211	Board PT2000/2		6					
	2000212	Board PT2000/3M			6				
	2000213	Board PT2000/3				6			
	2000214	Board PT2000/4					6		
	2000215	Board PT2000/5						6	
6	2000151	Door		1		2	3	4	5
	2000152	Mini door	1		2				
7	32004	Nut	8	8	8	8	8	8	8
8	60207	Washer	8	8	8	8	8	8	8
9	62221	Grommet	1	1	2	2	3	4	6
10	2000160	Belt change door left	1	1	1	1	1	1	1
11	2000161	Belt change door right	1	1	1	1	1	1	1
12	2000164	Nut belt change	2	2	2	2	2	2	2
13	2000163	Bolt belt change	2	2	2	2	2	2	2
14	2000180	Deflector (Mini)	4		6				
	2000179	Deflector (Std)		4		6	8	10	14

3-points linkage



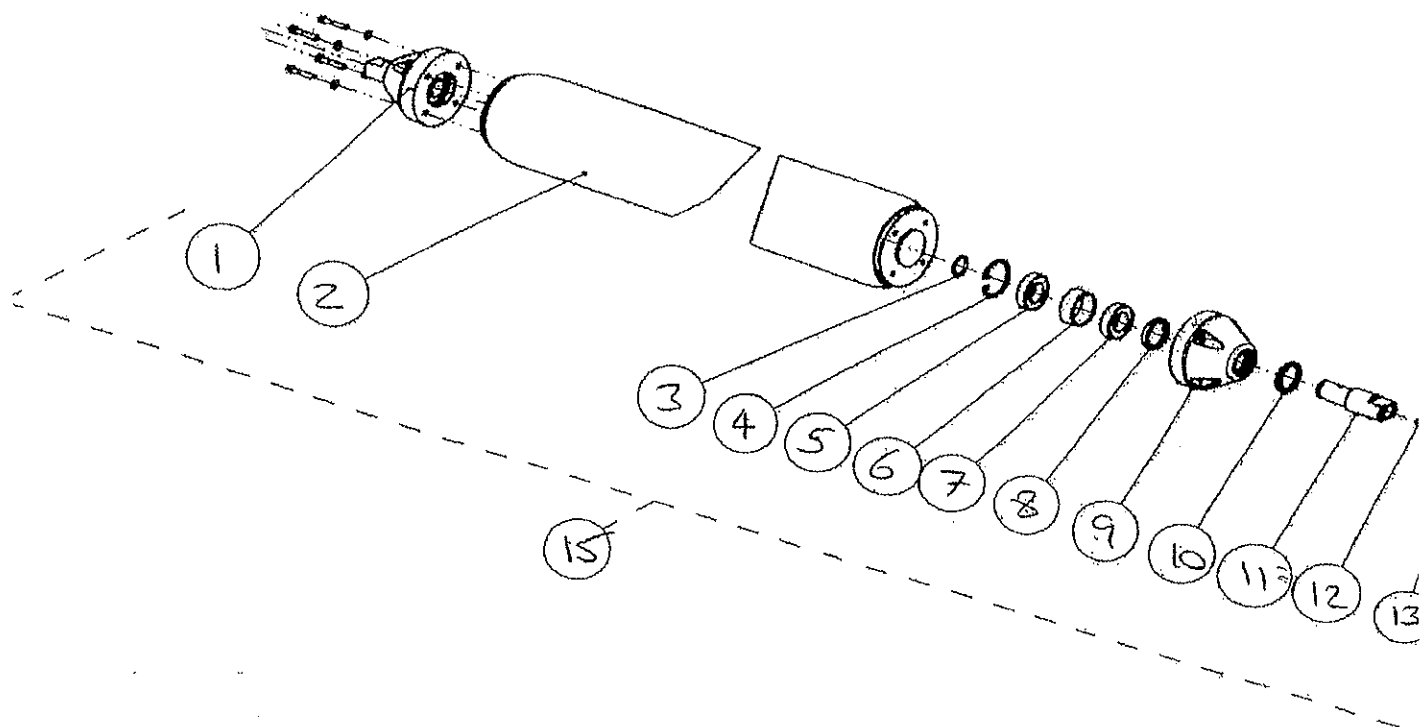
	Part No	Description	2000/2m	2000/2	2000/3m	2000/3	2000/4	2000/5	2000/7
1	33211	Bolt	1	1	1	1	1	1	1
2	2000207	Rope shave bracket	1	1	1	1	1	1	1
3	32639	Nut	1	1	1	1	1	1	1
4	33210	Lynch pin	3	3	3	3	3	3	3
5	2000205	Top link pin	1	1	1	1	1	1	1
6	2000200	U frame	1	1	1	1	1	1	1
7	62180	U bolt (inc. 15 & 16)	2	2	2	2	2	2	2
8	2000185	Left lower bracket	2	2	2	2	2	2	2
9	2000195	Bottom Link Pin	2	2	2	2	2	2	2
10	33213	D shackle	2	2	2	2	2	2	2
11	2000186	Right lower bracket	2	2	2	2	2	2	2
12	33205	Rope wheel	1	1	1	1	1	1	1
13	61191	Wire cable	1	1	1	1	1	1	1
	2000208	Mini wire rope	1		1				
14	60243	Link pin	1	1	1	1	1	1	1
15	62190	Washer	4	4	4	4	4	4	4
16	62189	Nut	4	4	4	4	4	4	4
17	2000196	U frame mounting pin	2	2	2	2	2	2	2
18	2000206	R clip	2	2	2	2	2	2	2



Swinging blade assembly

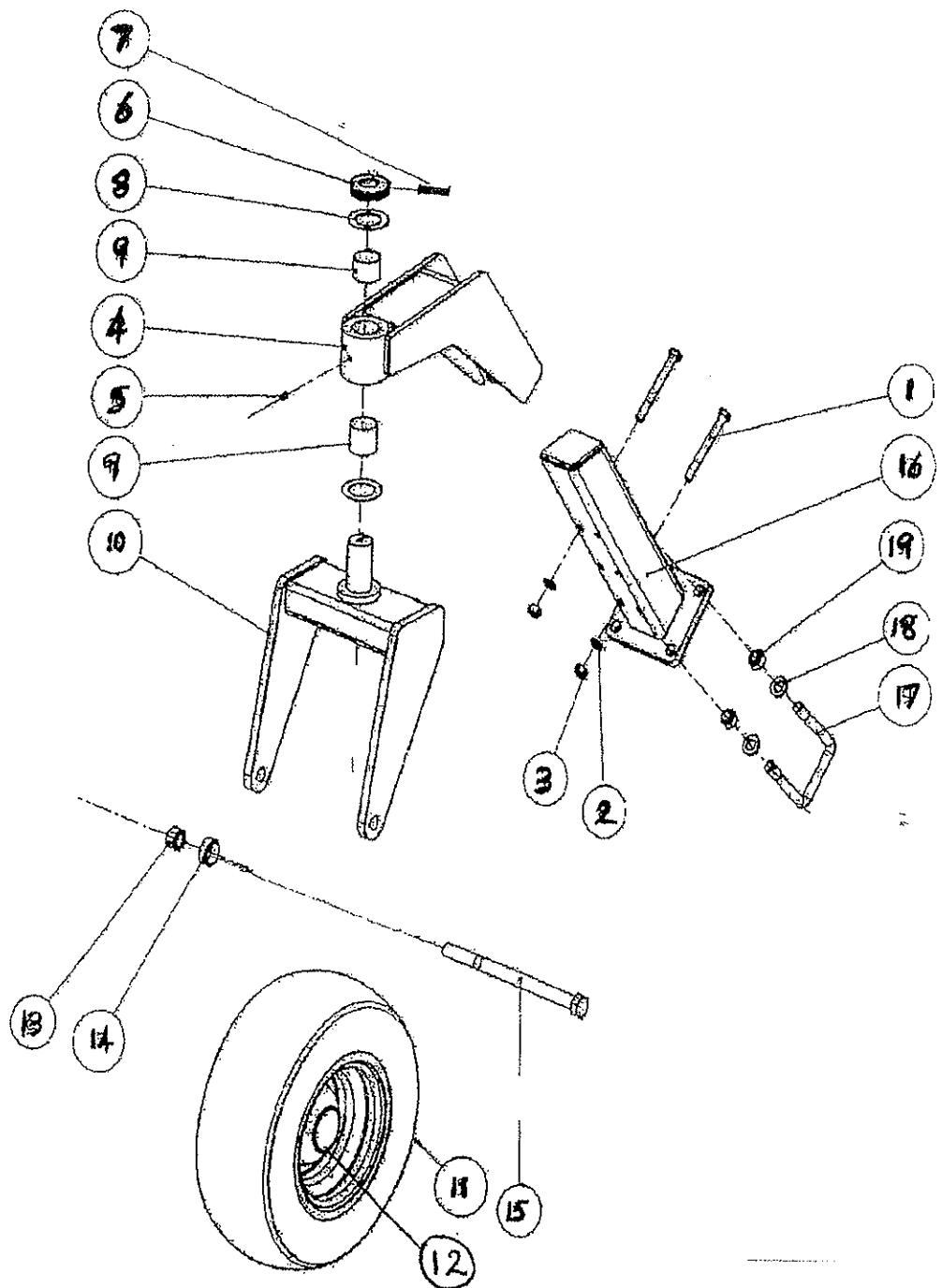
	Part No	Description	PER ASSEMBLY
1	61330	Nylock nut	2
2	63213	Washer	4
3	63915	Swinging blade carrier	1
4	63796	Swing blade	2
5	63918	Forged bush	2
6	63227	Bolt	2
7	63904	Complete assembly	N/A

Parkmaster Roller Assembly



	Part No	Description	Per Assembly
1	45.05.740	Roller End Complete	2
2	* Tel for info	Roller Tube Various	1
3	12.30.030	Circlip	2
4	12.31.062	Circlip	2
5	18.04.007	Bearing	2
6	45.05.650	Spacer Bush	2
7	18.01.005	Bearing	2
8	17.01.045	Seal	2
9	45.05.733	Roller End (casting)	2
10	17.05.007	Felt Ring	2
11	45.05.736	Rollershaft	2
12	20.03.003	Grease Nipple	2
13	12.01.008	Spring Washer	8
14	10.28.595	Allen Head Bolt	8
15	* Tel for info	Complete Roller Assembly	1

*For new roller tube or complete assembly please call with model number of mower



Castor Wheel Assembly Parts List (2005 on)

	Part No	Description	Per Assembly
1	VS2000730	Bolt	2
2	VS2000731	Washer Flat	4
3	VS32639	Nut	2
4	VS2000715	Adjuster Bracket Ass'y	1
5	VS2000320	Grease Nipple	1
6	VS2000740	Retaining Collar	1
7	VS2000741	Roll Pin	1
8	VS2000723	Bronze Washer	2
9	VS2000722	Oilite Bush	2
10	VS2000735	Fork Ass'y	1
11	VS2000752	Tyre	1
12	VS2000751	Wheel Centre	1
13	VS61330	Nut	1
14	VS2000744	Washer	1
15	VS2000742	Bolt	1
16	VS2000705	Base Plate Ass'y	1
17	VS62180	U Bolt	2
18		Washer Spring	4
19		Nut	4
20	VS2000750	Wheel Complete 11 + 12	1

VOTEX Hereford Ltd.

Redhill Depot

Ross Road

Hereford

HR2 8BH

Tel: 01432 274361 Fax: 01432 352743

www.votex.co.uk

e-mail: sales@votex.co.uk