



WOTEX
VIXEN
MOWERS
Instruction and
Parts Book

INDEX

Page	Subject
1	Index
2	Key to symbols and notes in text
3-5	Safety instructions
6	Operating Instructions
7	PTO information
8-9	Maintenance
10	Liability and Warranty details
11	General Information
12-13	Spares listing and parts diagram

KEY

These warning signs are found on the machine and in this manual and are very important.

Please follow the instructions carefully.

DANGER!	means	direct danger to life and health to people & animals
ATTENTION!	means	eventual damage to the machine will occur if the user does not follow the instructions outlined by the manufacturer in this manual
NOTE!	means	suggestions to assist in performing some tasks more easily and safely

Safety Instructions

DANGER! BEWARE BLADES CONTINUE TO ROTATE AFTER THE MACHINE IS SWITCHED OFF - DO NOT APPROACH MACHINE UNTIL BLADES HAVE COMPLETELY STOPPED

DANGER! KEEP DISTANCE - DUE TO ROTATING BLADES, OBJECTS (e.g. STONES) CAN BE THROWN OUT OF THE MACHINE - DESPITE THE GUARDING!

General Information

1. We recommend you read this manual thoroughly before operating the machinery, in order that you will be fully conversant with the use of the machine, especially in areas which might cause danger.
2. Pay particular attention on how to stop the tractor in case of emergency.
3. Pass on all safety comments and notices to other users.
4. **Never** let the blade shafts rotate when the entire length of machine does not rest on the ground.
5. The exhaust fumes from tractors contain carbon monoxide, a scentless yet deadly gas. Therefore the tractor engine should not be run in an enclosed area.
6. The signs and decals on the machine indicate important information for safe operation - follow this information for your OWN safety.
7. Always use ear protection where the noise level is higher than 85 dB(A) however this is not applicable when driving on a main road.
8. Due to the machine having rotating parts, operators should wear close fitting clothes.
9. When operating on roads, ensure you follow the applicable traffic rules.
10. Only qualified drivers with suitable experience should operate tractors especially when coupled to the machinery.

11. When transporting the machine on roads, adhere to the maximum permissible transport dimensions. If the machine width is greater than 2.55m and smaller than 3.5m then ensure maximum road speed is 12mph.
12. If applicable, attach light screens and/or warning signs.
13. If applicable, put the machine into its transport position subsequent to travelling on the roads.
14. Once a machine is raised on the 3-point linkage for transport, ensure that the lever is locked against lowering!
15. Before operating the machine, complete safety checks on both the tractor and the machine.
16. Never take passengers on the tractor or the mower.
17. If required, fit front weights in accordance with the tractor manufacturers mounting instructions.
18. All cables, hoses, etc. for rams, lighting, etc. should be fitted in such a way that during all working conditions they cannot be damaged, cause unexpected movements or interrupt they function.
19. Pay particular attention at curves and corners considering the large width of the machine as it increases the turning circle of the tractor. Also be aware of the extra inertia created by the weight of the machine.
20. Adapt speed of operation to conditions of the yard and workplace.
21. Working with tractors on slopes is very dangerous! However if work on slopes cannot be avoided then care must be taken and avoid sudden movement.
22. Only work during daylight or with good artificial light.
23. Prior to starting work, remove all objects from the workplace, which might be caught and thrown by the machine.
24. If applicable, ensure that the jack or support wheel is in its lowest position when the machine is to be attached or unattached.

Information particular to the rotary machines

25. Before use, tighten all nuts.
26. To prevent damage, ensure the machine is fitted to the 3-point linkage correctly.
27. When the machine is in a non-working or transport position the PTO must be disconnected and the rotary blades must have stopped spinning.
28. Prior to starting repairs and maintenance the following precautionary steps must be taken

switch off the PTO

wait for the blades to stop spinning

switch off tractor and remove key.

29. After the machine hits an object, stop and check for damage. If damage has occurred then the machine must be repaired prior to recommencing work.
30. Only use the machine when it is complete and all guards are in good condition.
31. Be careful during the connection and disconnection of the machine to the tractor.
32. Never stand on the machine whilst it is in operation.

Operating Instructions

33. Prior to initial use

Grease both joints on PTO shaft and all bearings on machine
Check gearbox oil level

34. After initial 10 acres work (sooner if work is heavier i.e. scrub, set aside etc.)

Check tightness of all nuts, especially blade nut

35. Mounting onto tractor

The machine is designed to fit quickly and easily onto Cat 2 tractor linkage (it can be easily modified to fit either Cat 1 or Cat 3) by means of the link arms being fixed to the bar through the A frame, (however extra care needs to be taken where tractors have small wheels or a low PTO). The tractor top link is then connected the linkage. Adjust the top link so that the wire cable is slack when the machine is flat on the ground.

Check chains or stabiliser bar must be adjusted correctly to prevent the machine from slopping from side to side.

NOTE! Before lifting the machine ensure the stop on the hydraulics is set to prevent the PTO from hitting the linkage frame thus preventing bending.

36. Starting

Start the machine with it slightly raised, out of the working area, by selecting 540 for PTO speed and engaging the drive.

ATTENTION! Damage may occur if the machine is started when fully on the ground.

37. Cutting height adjustment

After setting the skids, ensuring they are level both sides, run the machine to confirm height of cut. To adjust height, simply undo the 4 nuts & bolts holding each skid and reposition in new hole, either on skid adjuster or on machine frame.

PTO Drive shaft

38. The PTO shaft is of a shear bolt protection type.
39. If the blade hits an obstacle a bolt will shear on the universal coupling.
40. To replace a broken bolt disconnect the PTO shaft from the tractor.
41. Only fit genuine shear bolts.
42. Only use the PTO shaft supplied by the manufacturer.
43. The guards on the PTO shaft, machine and tractor must always be in good condition.
44. Ensure that the prescribed shaft overlap of the PTO (as shown in the PTO manufacturer's instructions) occurs in both transport and working positions.
45. Only connect the PTO shaft to the tractor and machine when the tractor PTO is disconnected and the tractor is switched off.
46. Prior to using the machine, ensure that the PTO shaft is correctly fitted and locked in place.
47. To ensure the PTO shaft does not spin, use the locking chains to secure the shaft to both the machine and tractor in the places provided.
48. Before engaging the PTO, ensure the speed and direction of rotation of the shaft are in accordance with the machine. These details are shown on the machine by means of a sign.
49. Do not exceed the indicated PTO speed.
50. Never engage the PTO shaft when the tractor engine is off.
51. Keep a safe distance away from the PTO shaft when it is engaged.
52. Place the disconnected shaft on the attachment points provided on the machine.
53. As soon as the PTO shaft has been disconnected, attach the guard bush onto the tractor's PTO.

Maintenance and inspection

DANGER!

MAINTENANCE AND INSPECTION ON THE BOTTOM OF THE MACHINE MUST NEVER BE PERFORMED WHEN THE MACHINE IS ONLY CARRIED BY THE TRACTOR'S HYDRAULICS AND 3 POINT LINKAGE. ALWAYS ENSURE THE MACHINE IS SUPPORTED AND TAKE SPECIAL PRECAUTIONS AGAINST UNEXPECTED FALLING OF THE MACHINE (e.g. USE A BLOCK & TACKLE WITH A MINIMAL WEIGHT CAPACITY OF THE MACHINE AS INDICATED ON THE STAMP ON THE MACHINE).

ATTENTION!

VIBRATION DURING OPERATION IS MOSTLY CAUSED BY THE IMBALANCE OF BADLY WORN BLADES. THIS VIBRATION CAN CAUSE SERIOUS DAMAGE TO THE MACHINE SO IF VIBRATION IS NOTICED DURING OPERATION OR A CHANGE IN THE NOISE OF THE MACHINE, STOP IMMEDIATELY, INSPECT THE MACHINE FOR DAMAGE AND REPAIR THE FAULT BEFORE RESTARTING.

43. Always check the gearbox oil level before use. The oil level should be set so that it trickles out of the drain plug at the rear of the gearbox - approx. 3/4 litre. Only use HYPOID 90 oil. This oil should be renewed once a year.
44. Regularly check the blades for wear and damage - ensure the wear is even on both cutting edges - immediately replace a twisted blade.
45. If swinging blades are fitted, whilst checking blade wear also check condition of bolt, hole, nut and bush system. When loosening a nylock nut always replace with a new one.
46. All guards must be checked before operating and must be replaced if found faulty or defective.
47. Ensure all maintenance is carried out using proper tools.

**TO ENSURE
GOOD,
SAFE OPERATION AND
PROLONGED LIFE OF THE
MACHINE,
ALWAYS FOLLOW THE
INSTRUCTIONS IN THIS
MANUAL
AND USE
GENUINE
VOTEX
SPARE PARTS!!**

LIABILITY AND WARRANTY

Votex Hereford Ltd guarantees good and reliable performance for a period of 12 (twelve) months provided:

1. All instructions outlined in this manual have been carried out.
2. All maintenance has been correctly carried out.
3. The machine has been operated by qualified operators who have read this manual and made themselves familiar with the machine's operation.
4. The machine has been only used for tasks it was intended for.
5. All safety precautions have been adhered to.

6. **IMPORTANT**

This instruction manual only applies to the original Votex technical specification.

Therefore, Votex Hereford Ltd cannot be held responsible for any injury to persons or damage to the machine whatsoever caused by or after unauthorised technical modification of the machine or any component, original or spare.

OR

the use of non-genuine spare parts. Where there is a dispute, it is the responsibility of the customer and claimant to prove that any replacement parts used are genuine Votex spares purchased via a Votex dealer or direct from the manufacturer.

7. **YOUR ATTENTION IS DRAWN TO THE FACT THAT VOTEX HEREFORD LTD WILL NOT ACCEPT A WARRANTY CLAIM IF THE INSTRUCTIONS IN THIS MANUAL HAVE NOT BEEN FOLLOWED.**

8. **REMARKS**

ALL RIGHTS RESERVED

Without explicit permission from Votex Hereford Ltd it is NOT allowed to duplicate and/or make public by print, photocopy, microfilm or in any other way the contents of this manual. This is also applies to the illustrations and diagrams.

Votex Hereford Ltd reserves the right to alter and modify its spare parts, if necessary, at any time without previous notice to its customers. Also, the contents of this manual could be altered accordingly without prior notice.

For more specific information about adjustment, maintenance and repair that is unclear in this manual we suggest you contact the technical or service department of your Votex main dealer or ourselves direct.

The Votex Rotary Mower

The Votex Vixen rotary mowing machines are specially designed for mowing grass and other growth producing a good quality finish from a simple yet durable system. These machines can also be used for chopping straw and bushes (etc.) as well as chopping prunings, pasture topping and the maintenance of large open areas such as airports, verges, and recreation areas.

Your machine has been designed and constructed to be mounted directly onto the 3-point linkage of a standard tractor.

Directions for ordering spare parts

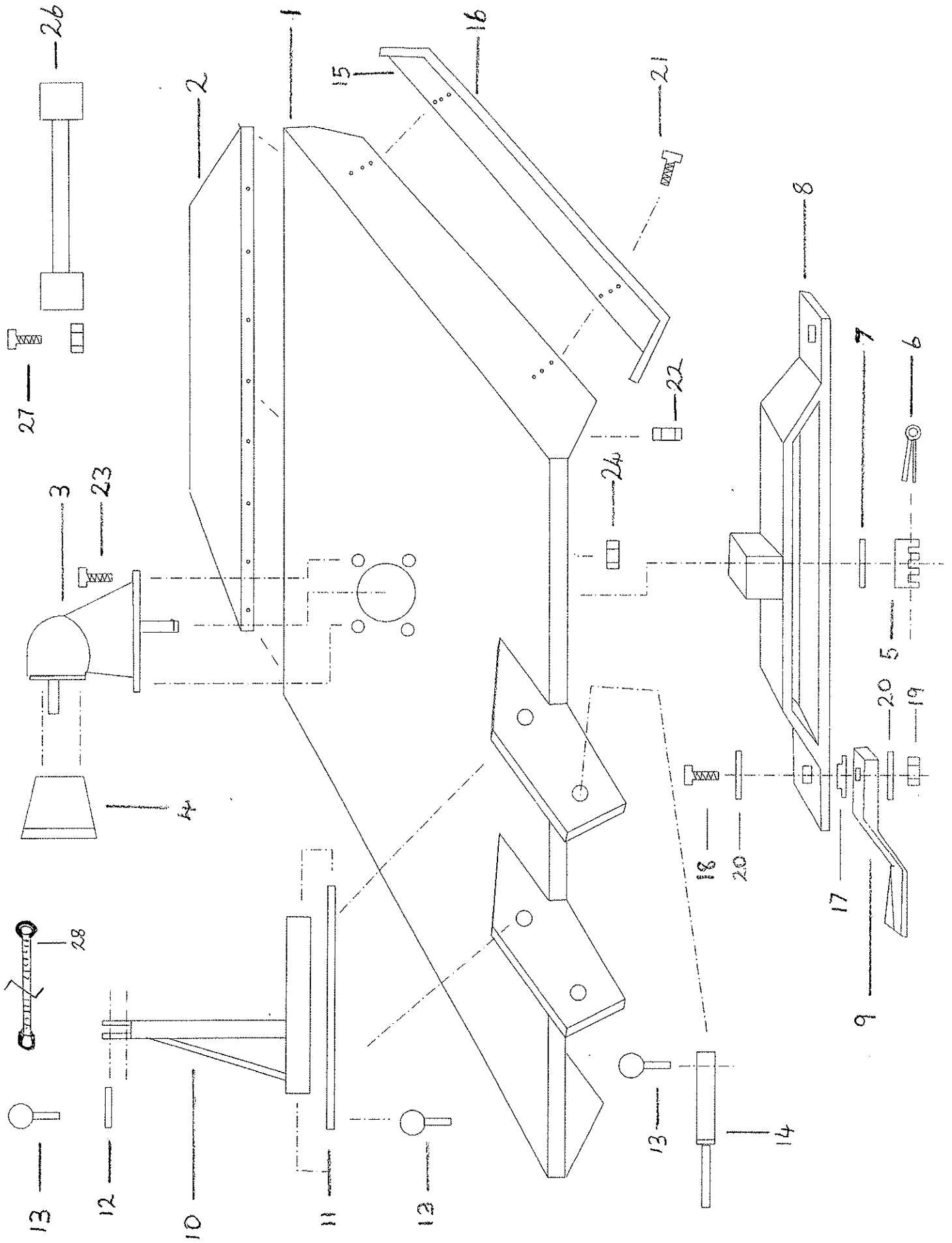
When you require a spare part for your machine please order a genuine Votex component via your main Votex dealer or by contacting us direct.

All the parts are listed in the next few pages, allied to technical diagrams to assist you in recognising each component. When you order a part please quote the Votex part number to ensure that you receive and subsequently fit the correct part.

After each diagram is a parts list relating to each page, which gives the Votex part number AND description.

If you are unsure of a part then we suggest you send the original to us or take it to your dealer.

To ensure a good quality finish from you machine, as well as prolonged life USE only GENUINE VOTEX SPARES.



	Part No	Description	Vixen 6	Vixen 5	Vixen 4
1	2200106	Main Frame	1		
	2200105	Main Frame		1	
	2200104	Main Frame			1
2	2200110	Rear Guard	1		
	2200112	Rear Guard		1	
	2200114	Rear Guard			1
3	2200118	Gearbox	1		
	2200119	Gearbox		1	
	2200120	Gearbox			1
4	2200121	Input Shaft Guard	1	1	1
5	2200125	Castle Nut	1	1	1
6	2200126	Split Pin	1	1	1
7	2200127	Gearbox Washer	1	1	1
8	2200130	Blade Carrier	1		
	2200131	Blade Carrier		1	
	2200132	Blade Carrier			1
9	63796	Blade	2	2	2
10	2200140	Headstock	1	1	1
11	2200142	Headstock Bar	1	1	1
12	62243	Top Link Pin	2	2	2
13	33210	Lynch Pin	6	6	6
14	74102	Link Pin	2	2	2
15	2200150	Skid	2		
	2200152	Skid		2	
	2200154	Skid			2
16	2200156	Skid Runner	2		
	2200157	Skid Runner		2	
	2200158	Skid Runner			2
17	63918	Square Bush	2	2	2
18	63227	Blade Bolt	2	2	2
19	61330	Blade Nut	2	2	2
20	63213	Blade Washer	4	4	4
21	32414	Skid Bolt	8	8	8
22	32004	Skid Nut	8	8	8
23	2200160	Gearbox Bolt	4	4	4
24	2200161	Gearbox Nut	4	4	4
25	2200165	Rear Guard Bolt	6	6	6
26	2200170	PTO Shaft	1	1	1
27	2200175	PTO Shaft Shear Bolt	1	1	1
28	2200145	Wire Rope	1		
	2200146	Wire Rope		1	
	2200147	Wire Rope			1